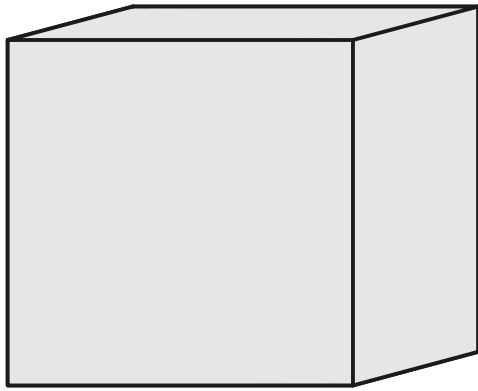
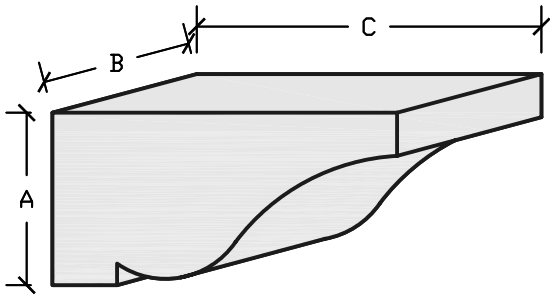


Dentils

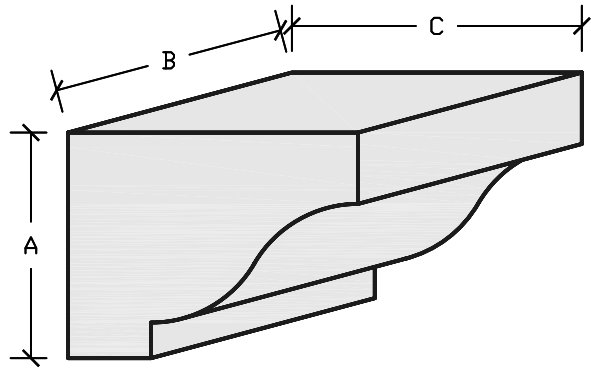


**FILE#
DTFS**

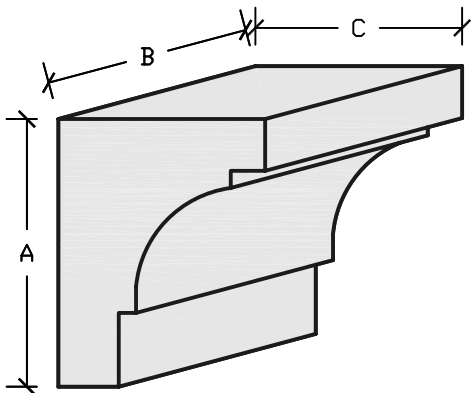
Various Sizes	
Thickness	WxH
1"	3"x3"
	4"x4"
1½"	5"x5"
	4"x6"
2"	3"x5"
	6"x6"
From Flat Stock	



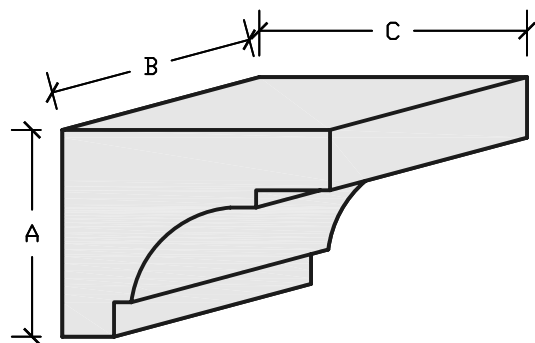
A B C FILE#
4" 4" 8" **DT 2-B**



A B C FILE#
9½" 8" 12¾" **DT 4-B**



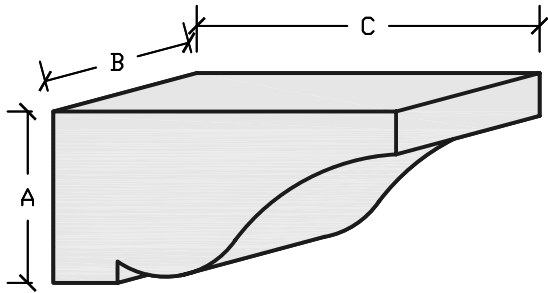
A B C FILE#
7¾" 5½" 6" **DT 5-A**



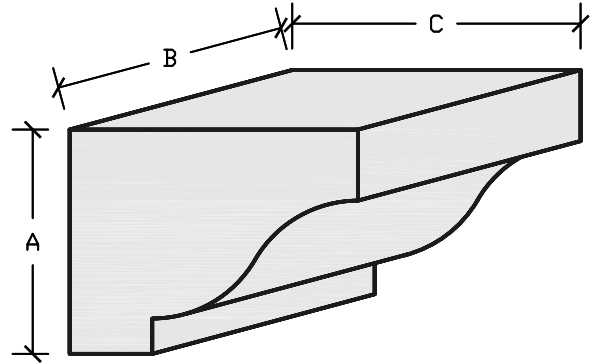
A B C FILE#
6" 5½" 7¾" **DT 5-B**

Note:
* Custom Shapes and Sizes Available

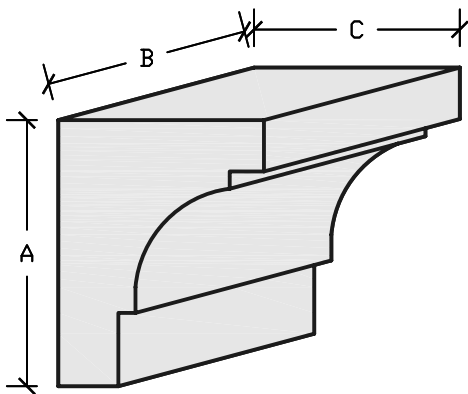
Dentils



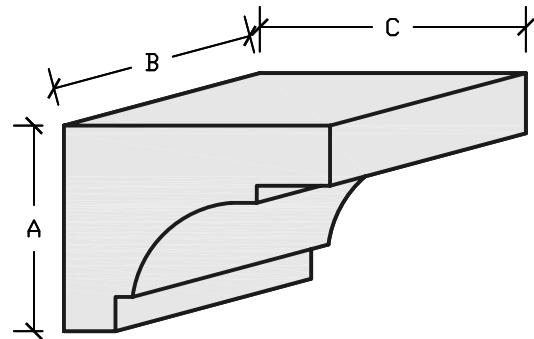
A **B** **C** **FILE#**
 4" 4" 8" **DT 2-B**



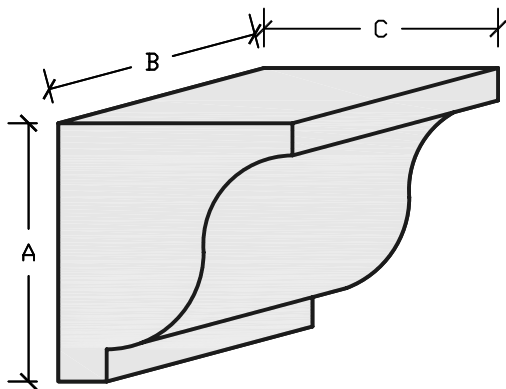
A **B** **C** **FILE#**
 $9\frac{1}{2}$ " 8" $12\frac{3}{16}$ " **DT 4-B**



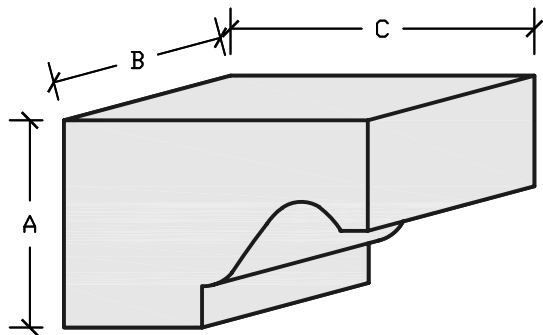
A **B** **C** **FILE#**
 $7\frac{3}{4}$ " $5\frac{1}{2}$ " 6" **DT 5-A**



A **B** **C** **FILE#**
 6" $5\frac{1}{2}$ " $7\frac{3}{4}$ " **DT 5-B**



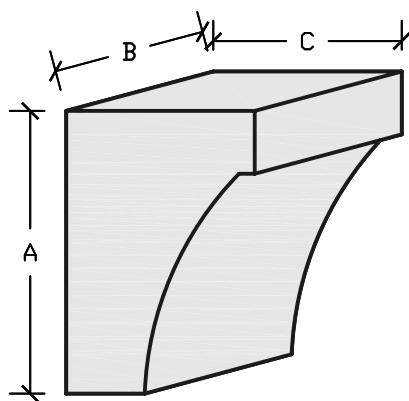
A **B** **C** **FILE#**
 8" 6" $7\frac{1}{4}$ " **DT 6-A**



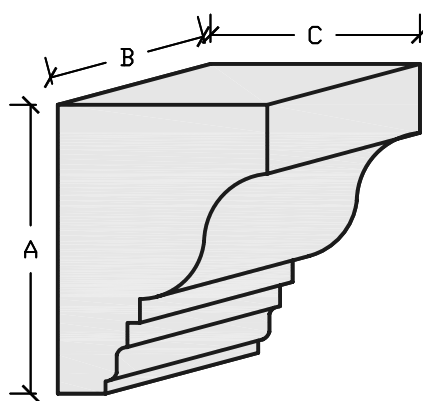
A **B** **C** **FILE#**
 $3\frac{3}{4}$ " 4" $5\frac{1}{2}$ " **DT 7-A**

Notes:
 * Custom Shapes and Sizes Available

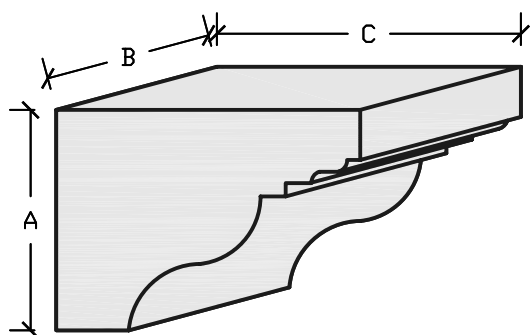
Dentils



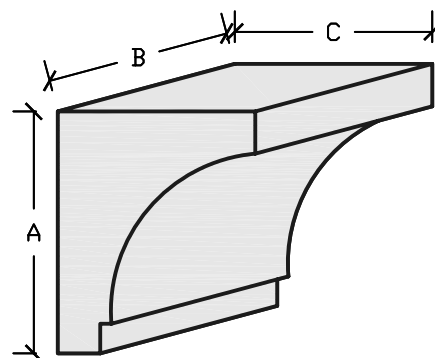
A **B** **C** **FILE#**
 $4\frac{1}{2}$ " 3" 3" **DT 8-A**



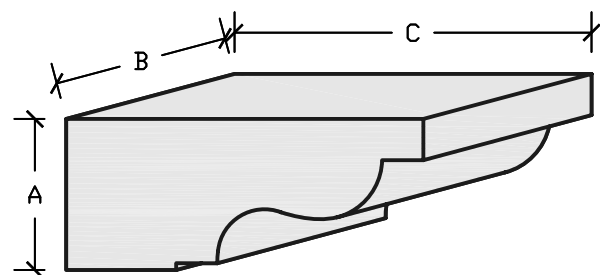
A **B** **C** **FILE#**
 $6\frac{1}{4}$ " 4" $4\frac{1}{2}$ " **DT 10-A**



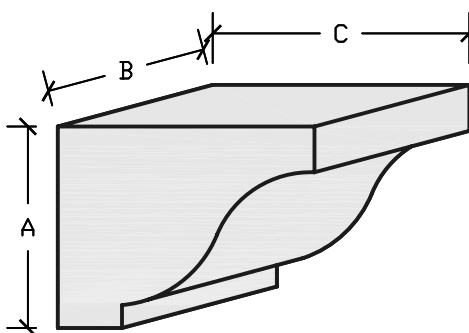
A **B** **C** **FILE#**
 $4\frac{1}{2}$ " 4" $6\frac{1}{4}$ " **DT 10-B**



A **B** **C** **FILE#**
 $12\frac{3}{8}$ " 7" $10\frac{1}{8}$ " **DT 11-A**



A **B** **C** **FILE#**
 $5\frac{1}{2}$ " 6" 13" **DT 12-A**



A **B** **C** **FILE#**
 $5\frac{1}{2}$ " 5" 7" **DT 13-A**

Notes:
 * Custom Shapes and Sizes Available