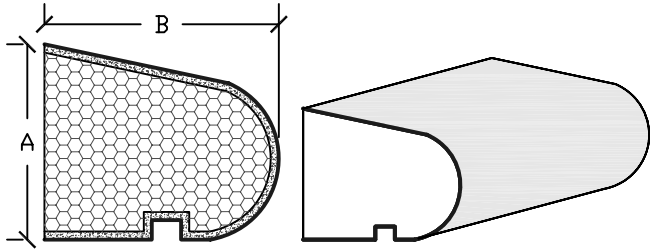


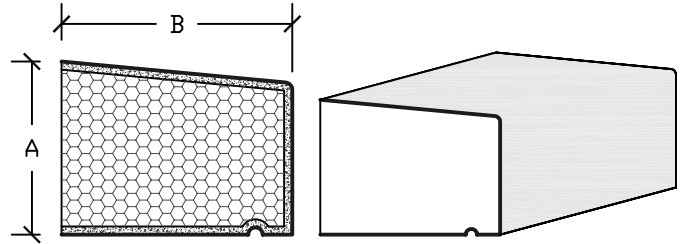
Sills



A
2½"

B
3"

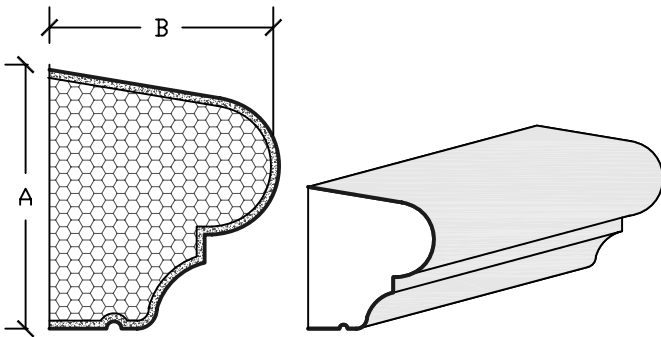
FILE#
SL302



A
3"

B
4"

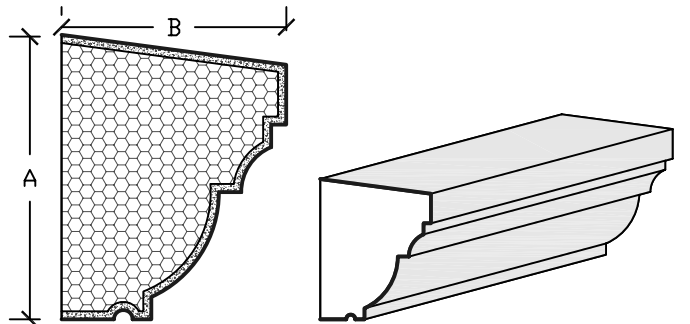
FILE#
SL353



A
4¾"

B
3⅞"

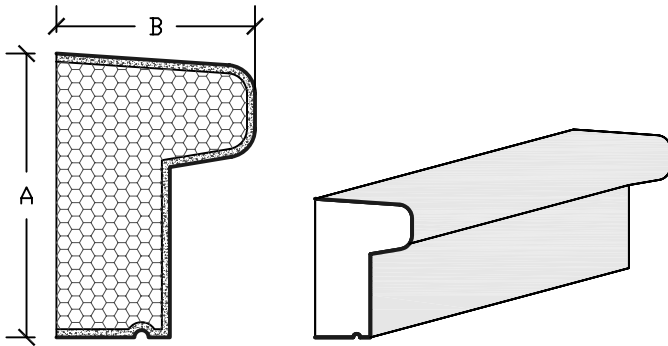
FILE#
SL451



A
4¾"

B
3¾"

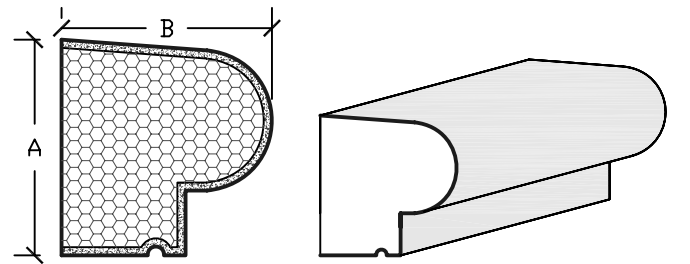
FILE#
SL501



A
5"

B
3½"

FILE#
SL502

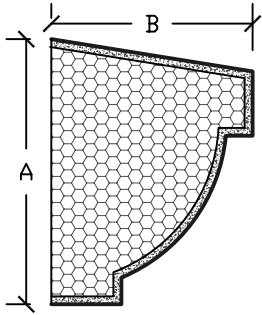


A
5"

B
4⅞"

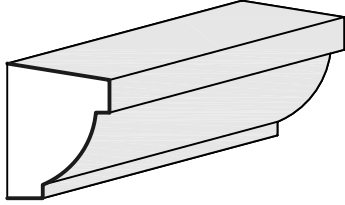
FILE#
SL503

Sills

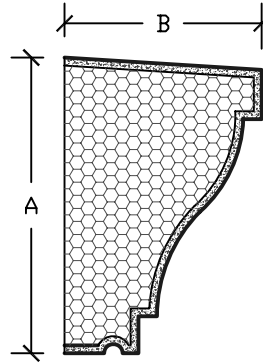


A
5 $\frac{1}{8}$ "

B
3 $\frac{7}{8}$ "

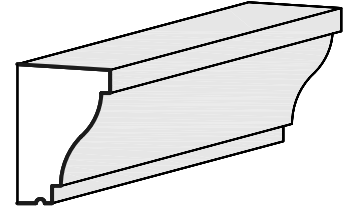


FILE#
SL504

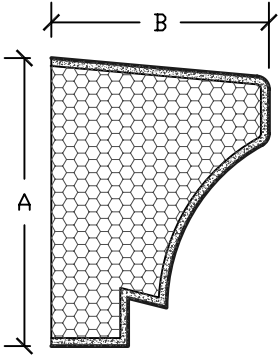


A
6"

B
4"

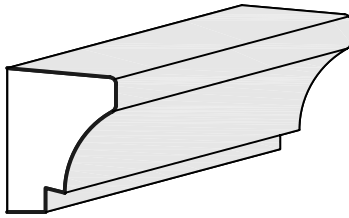


FILE#
SL601

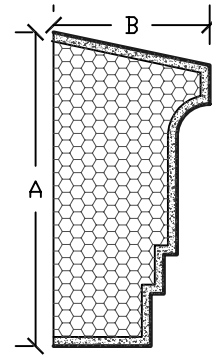


A
5 $\frac{5}{8}$ "

B
4 $\frac{1}{4}$ "

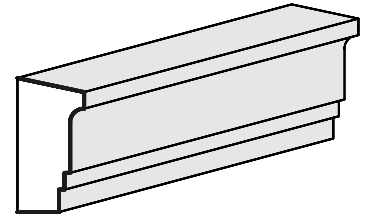


FILE#
SL603

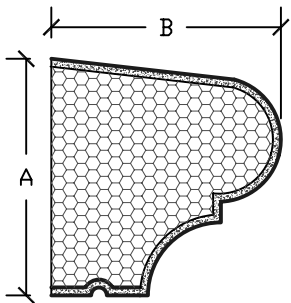


A
6"

B
3"

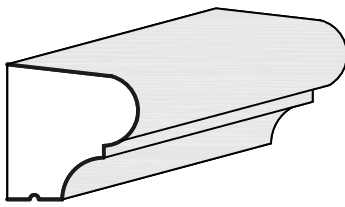


FILE#
SL604

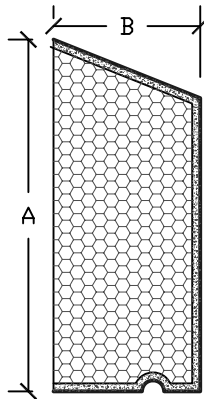


A
5 $\frac{3}{4}$ "

B
5 $\frac{1}{2}$ "

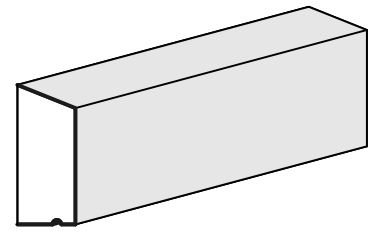


FILE#
SL651



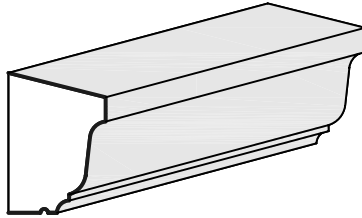
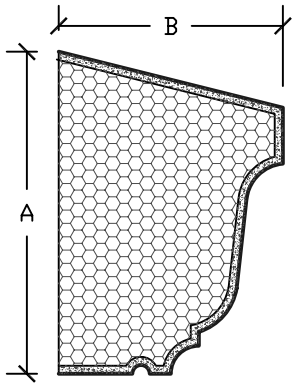
A
6"

B
2 $\frac{1}{2}$ "



FILE#
SL652

Sills



A
5 $\frac{3}{4}$ "

B
4"

FILE#
SL653